



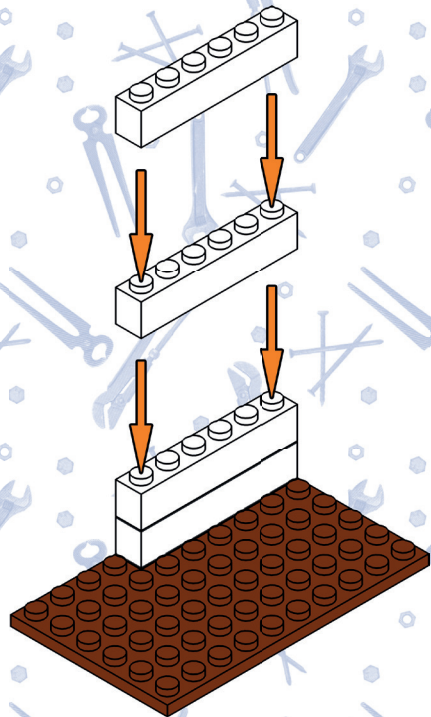
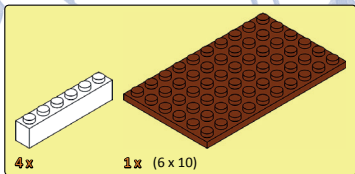
INSTRUCTION MANUAL

M38 - 70128B

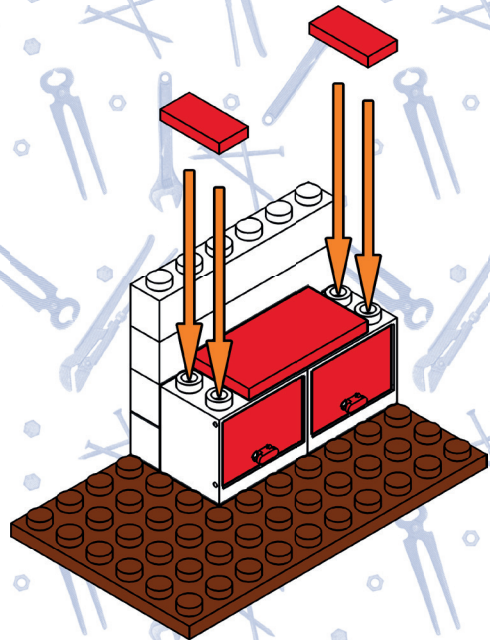
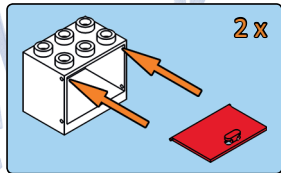
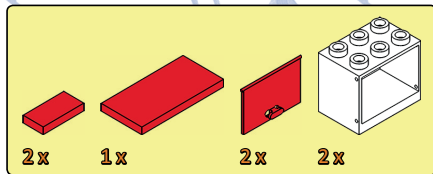
45
PCS

6+

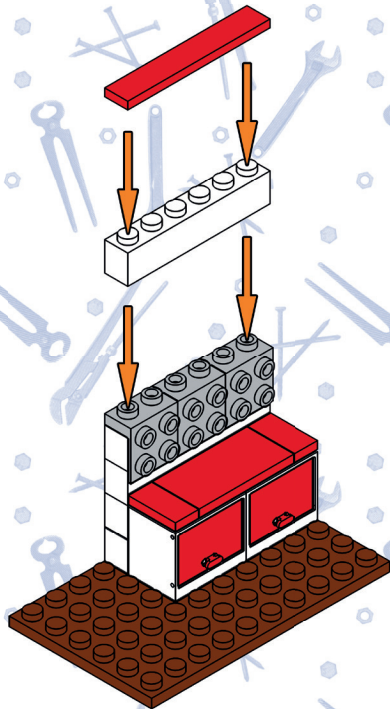
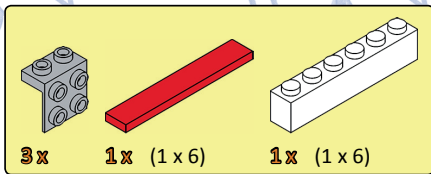
1



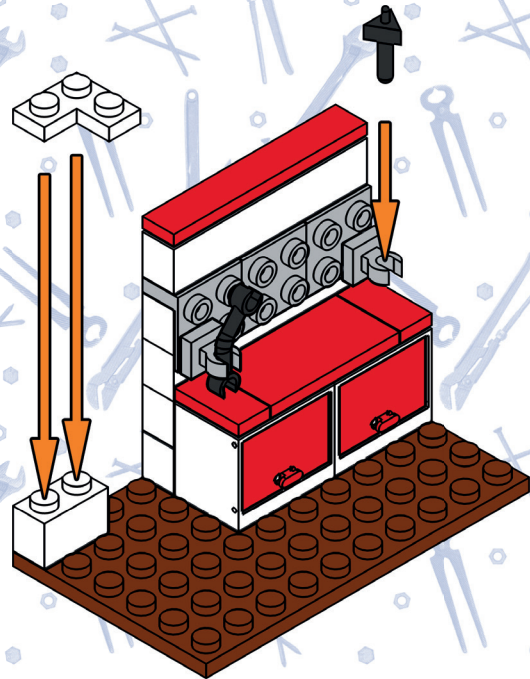
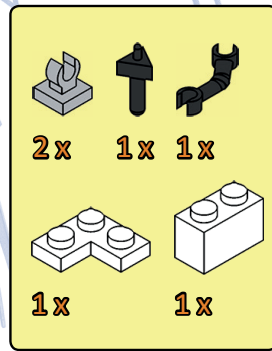
2



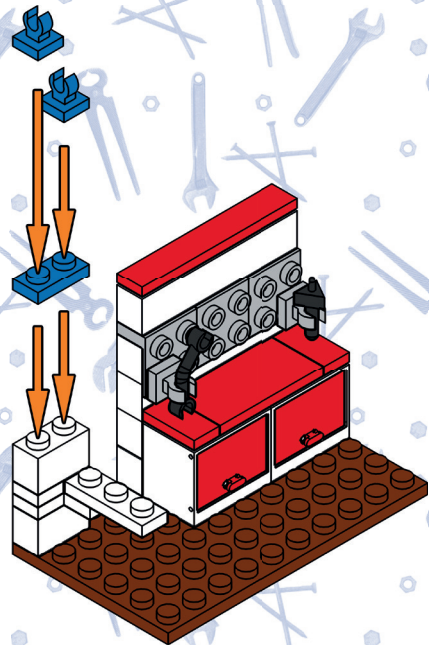
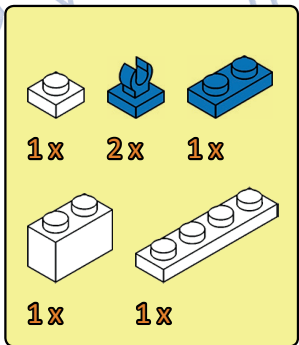
3



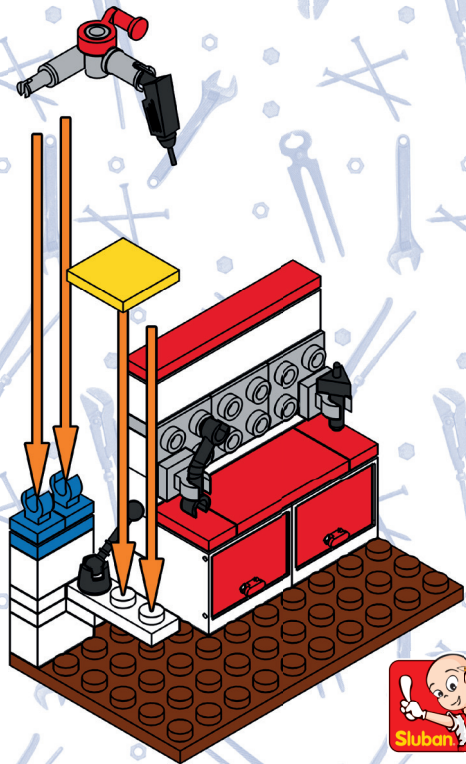
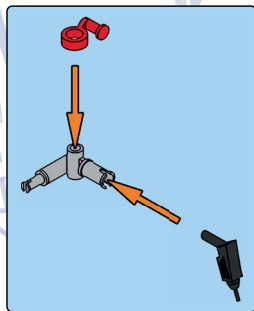
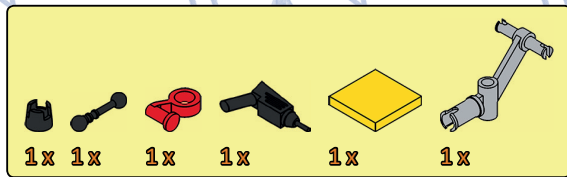
4



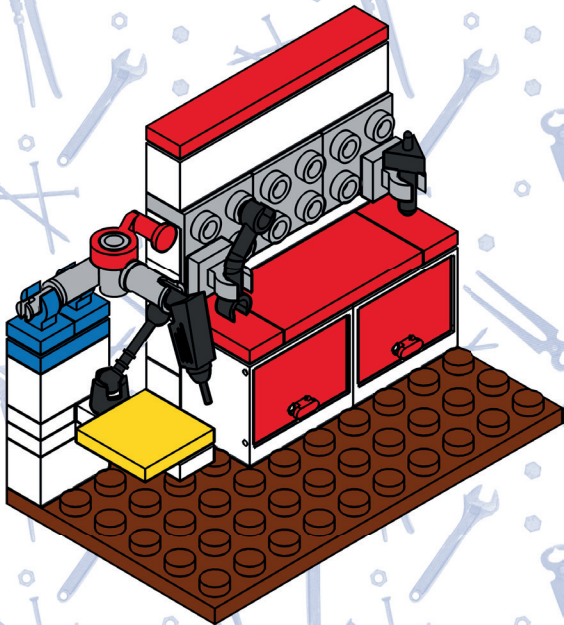
5



6



7



www.buurmanenbuurman.tv | www.patmat.cz | www.facebook.com/buurman.buurman.tv